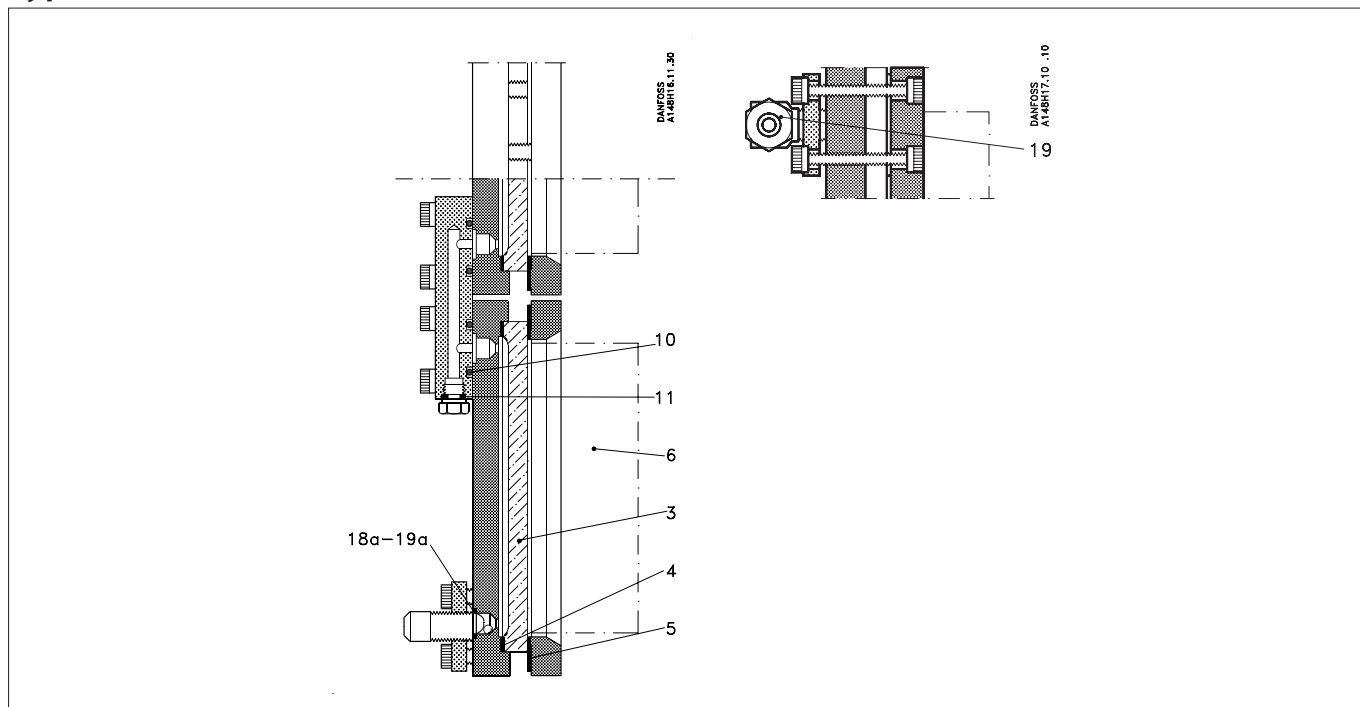


Data sheet – Spare parts and accessories

Sight glasses

Types LLG, LLG-S, LLG-F and LLG-SF 185 - 1550 (7¼ - 61 in.)



Description	Pos. #	Qty.	Size	Code no.
<b>Repair kit, complete set of gaskets</b>				
Gasket for sight glass	4	1	Size 185 (7¼ in.)	<b>2453+056</b>
Protective coating for sight glass	5			
Gasket for nipple for type LLG	18a			
Gaskets for stop valve and for nipple	19a			
Gasket for sight glass	4	1	Size 335 (13¼ in.)	<b>2453+057</b>
Protective coating for sight glass	5			
Gasket for nipple for type LLG	18a			
Gaskets for stop valve and for nipple	19a			
Gasket for sight glass	4	1	Size 590 (23¼ in.)	<b>2453+058</b>
Protective coating for sight glass	5			
O-ring for connecting piece for	10			
Gasket for connecting piece for	11			
Gasket for nipple for type LLG	18a			
Gaskets for stop valve and for nipple	19a			
Gasket for sight glass	4	1	Size 740 (29¼ in.)	<b>2453+059</b>
Protective coating for sight glass	5			
Gasket for nipple for type LLG	18a			
Gaskets for stop valve and for nipple	19a			
Gasket for sight glass	4	1	Size 995 (39¼ in.)	<b>2453+060</b>
Protective coating for sight glass	5			
O-ring for connecting piece for	10			
Gasket for connecting piece for	11			
Gasket for nipple for type LLG	18a			
Gaskets for stop valve and for nipple	19a			
Gasket for sight glass	4	1	Size 1145 (45 in.)	<b>2453+061</b>
Protective coating for sight glass	5			
O-ring for connecting piece for	10			
Gasket for connecting piece for	11			
Gasket for nipple for type LLG	18a			
Gaskets for stop valve and for nipple	19a			
Gasket for sight glass	4	1	Size 1550 (61 in.)	<b>2453+062</b>
Protective coating for sight glass	5			
O-ring for connecting piece for	10			
Gasket for connecting piece for	11			
Gasket for nipple for type LLG	18a			
Gaskets for stop valve and for nipple	19a			

Description	Pos. #	Qty.	Size	Code no.
<b>Sight glass</b>				
Sight glass	3	1	Size 185 (7¼ in.)	<b>148H3034</b>
Sight glass	3	1	Size 335 (13¼ in.)	<b>148H3035</b>
Sight glass	3	1	Size 590 (23¼ in.)	<b>148H3036</b>
Sight glass	3	1	Size 740 (29¼ in.)	<b>148H3037</b>
Sight glass	3	1	Size 995 (39¼ in.)	<b>148H3038</b>
<b>Spare part kit for LLG-F and LLG-SSF</b>				
Sight adapter	6	1	Size 185 (7¼ in.)	<b>148H3041</b>
Sight adapter	6	1	Size 335 (13¼ in.)	<b>148H3042</b>
Sight adapter	6	1	Size 590 (23¼ in.)	<b>148H3043</b>
Sight adapter	6	1	Size 740 (29¼ in.)	<b>148H3044</b>
Sight adapter	6	1	Size 995 (39¼ in.)	<b>148H3045</b>
Sight adapter	6	1	Size 1145 (45 in.)	<b>148H3046</b>
Sight adapter	6	1	Size 1550 (61 in.)	<b>148H3047</b>
<b>Stop valve</b>				
Stop valve, type SNV-ST	19	1	All	<b>148B3769</b>