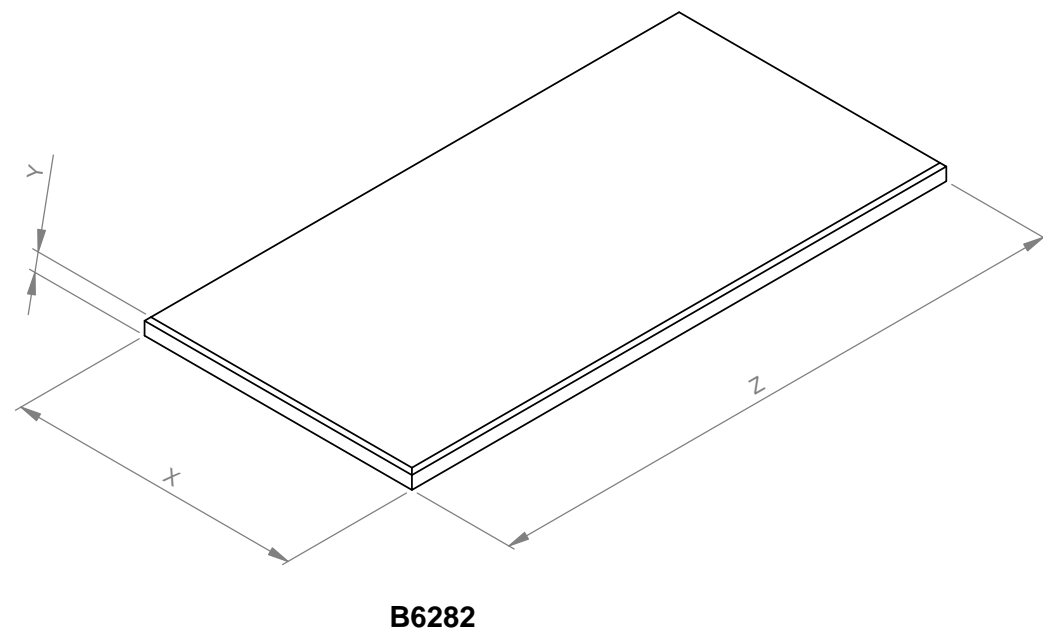
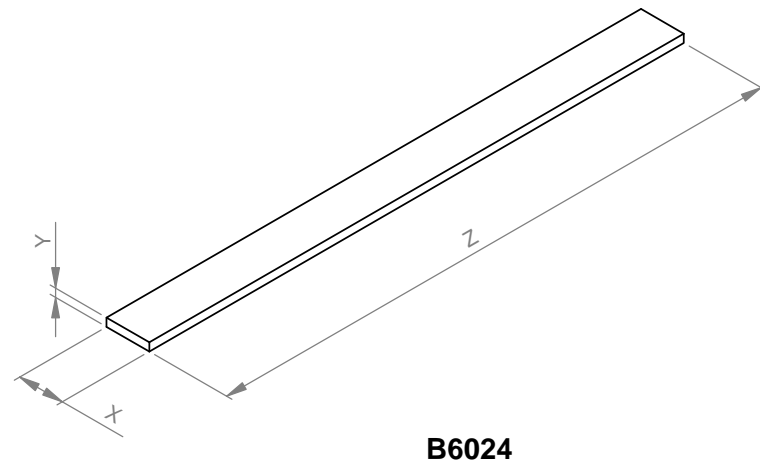
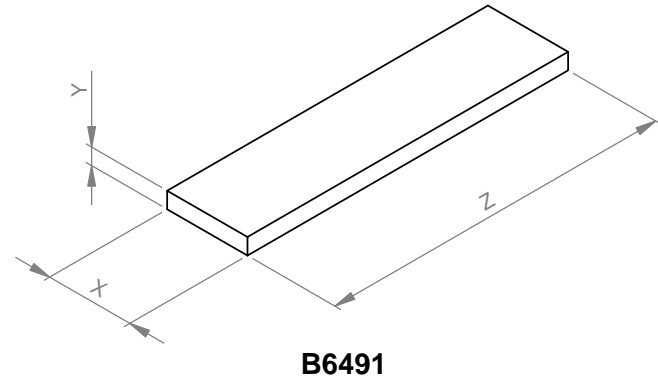


VIBRO MAT & AV PAD SPECIFICATION SHEET

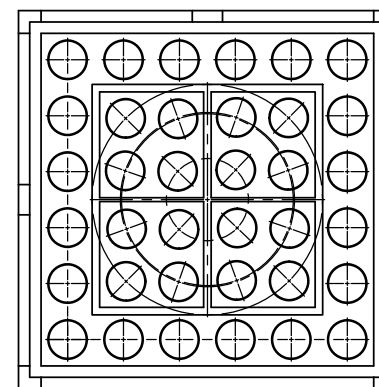
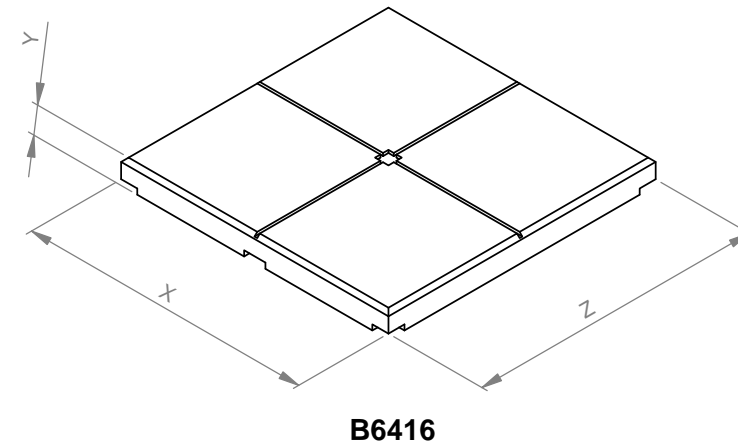
VIBRO MATS DETAILS & PERFORMANCE RECOMMENDATIONS												
PART NUMBER			B6024	B6491	B6282	B6416	B6909	B6910	B6911	B6912	B6913	B6914
DESCRIPTION			AV STRIP	SMALL TILE	LARGE TILE	PLAIN TILE	AV PAD 51	AV PAD 76	AV PAD 101	AV PAD 152	AV PAD 305	AV PAD 457
LENGTH	Z	mm	1000	600	1000	500	51	76	101	152	305	457
		inches	39 3/8	23 5/8	39 3/8	19 5/8	2	3	4	6	12	18
WIDTH	X	mm	75	150	500	500	51	76	101	152	305	457
		inches	2 7/8	5 7/8	19 5/8	19 5/8	2	3	4	6	12	18
HEIGHT	Y	mm	15	30	30	45	22	22	22	22	22	22
		inches	5/8	1 1/8	1 1/8	1 3/4	7/8	7/8	7/8	7/8	7/8	7/8
WEIGHT			kg	1.17	2.26	12.55	7.63	0.05	0.1	0.2	0.4	1.65
			lbs	2.58	4.98	27.67	16.82	0.11	0.22	0.44	0.88	3.64



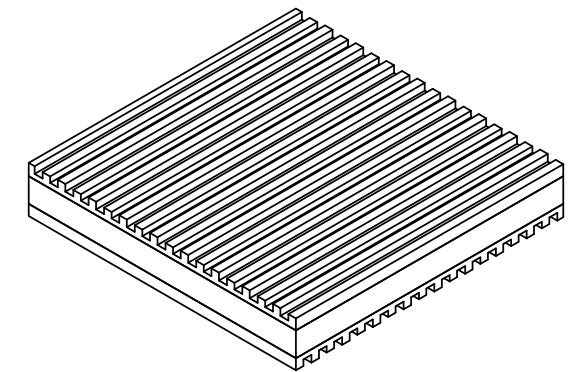
MATERIAL SPECIFICATION						
DESCRIPTION	MATERIAL	REGULATION CONFORMANCE	DENSITY		COMPRESSIVE STRENGTH (@ 20%)	
			kg/m3	lbs/ft3	MPa	psi
FIX-IT FOOT / HIGH BLOC	RECYCLED RUBBER CRUMB	BS7188:1989	650-1020	41-64	1.20	174
AV PAD	CORRUGATED ANTI SLIP RUBBER TOP/BOTTOM & NEOPRENE INNER	-	950-1020	59-64	1.20	174

WORKING CONDITIONS: SUITABLE FOR INTERNAL OR EXTERNAL APPLICATIONS IN TEMPERATURES BETWEEN -40°C TO +80°C. BSEN60068-2-14

PLEASE NOTE THAT THE SMALL TILE HAS A 400x100x2mm MILD STEEL STRIP WITHIN TILE & THE LARGE TILE HAS 2no. 400x100x2mm STRIPS WITHIN THE TILE



DETAIL OF PLAIN TILE UNDERSIDE



FOR BESPOKE DESIGNS PLEASE CONTACT THE BIG FOOT TECHNICAL OFFICE

+44(0)1323 844 355
 TECHNICAL@BIGFOOTSUPPORT.COM
 WWW.BIGFOOTSUPPORT.COM

TITLE: VIBRO MAT & AV PAD SPECIFICATION SHEET

DWG NO. VM1001-01-01

THIS DRAWING IS COPYRIGHT AND THE PROPERTY OF BIG FOOT SYSTEMS LIMITED

