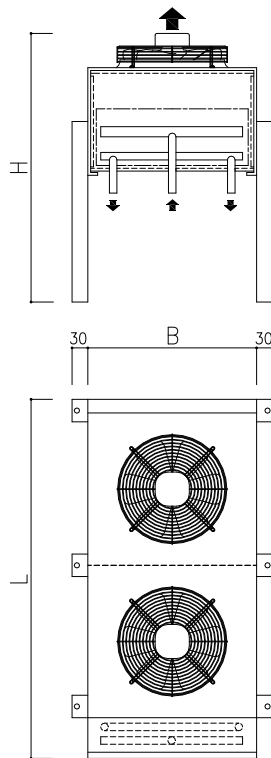


Client: Floris Elektrotechniek
 Attention of: Jos Floris
 Your rif.: Erik Nijsink
 Our rif.: CJR612324 TRH [Special]
 Operator:

Price 2018-1
 REVENT 1.2.76
 Date: 15-01-2019 10.31



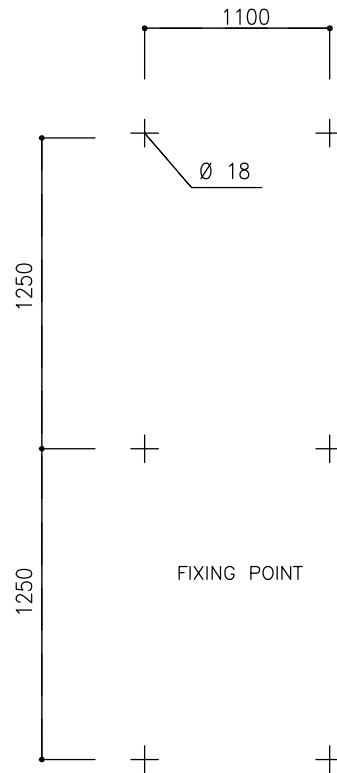
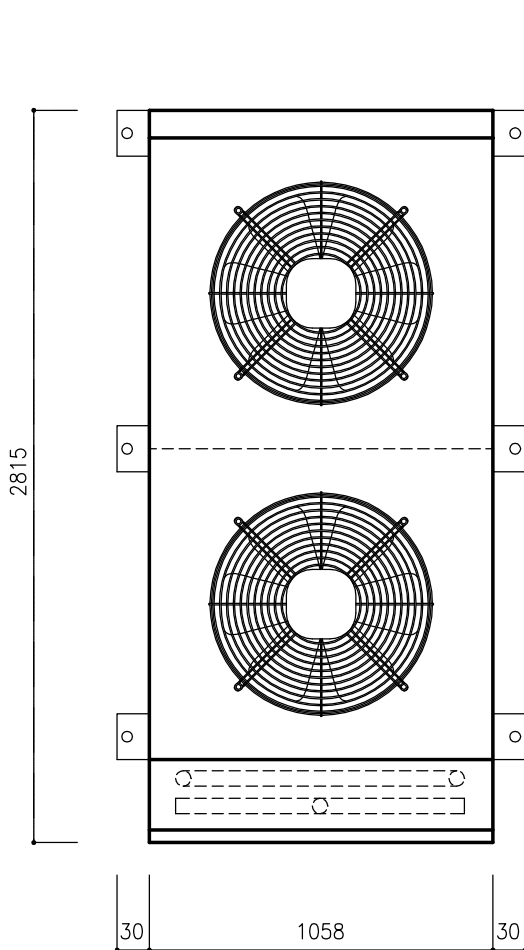
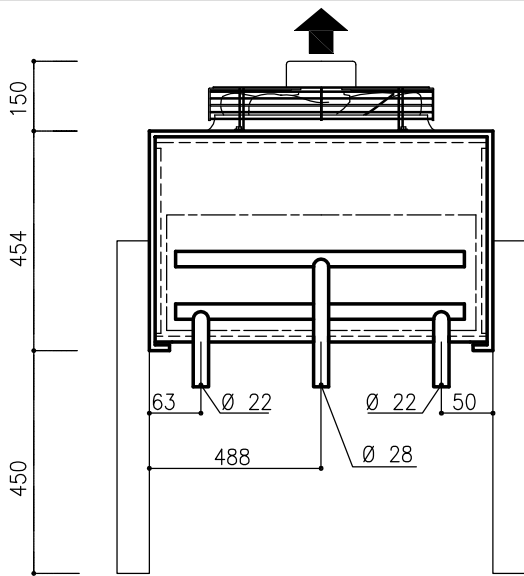
Roent Est S.p.A - Standard Version Drawing - All Rights Reserved


Capacity	86,98	kW
AIR		
Flow	36120	m ³ /h
Temp.IN	28	°C
Altitude	30	m
FLUID		
	R449a	
Temp.Cond. (mid)	40	°C
Pressure drop	30	kPa
FANS A EC ERP 2015 2202100238 60°C		
Nr.	2 [Special]	
Diameter	630	mm
RPM	1550	min ⁻¹ (100%)
Supply line	400/3/50 V/P/Hz	
Current	2x4,1	A (100%)
Capacity	2x2,58	kW (100%)
NOISE		
Pressure level	51	dB(A)
Distance	10	m
Sound power level	82	dB(A)
EXCHANGER		
FINS		
Fins material	AP	
Fin pitch	2.1	mm
Surface	147	m ²
TUBES		
Material	CU	
Volume	24	dm ³
HEADERS		
Material	CU	
IN	35	mm
OUT	28	mm
Length(L)	2815	mm
Width(B)	1058	mm
Height(H)	1050	mm
Weight	206	kg

Pricelist	5809	Euro/pz
ALUPAINT FINS	156	Euro/pz

Pricelist (x1)	5965	Euro
-----------------------	-------------	-------------

Ventilator data are approximated



01					
00	18/11/07	Emissione		Braida	
Mod.	Date	DESCRIPTION		Dis.	Contr. Approv.
		ROEN EST S.p.A. via dell'Industria 4, 34077 Ronchi dei Legionari (GO) - ITALY tel. +390481474140 - fax. +390481779997 - info@roenest.it		Material: Painted Aluminium RAL9010 Fan Diameter: Ø 630	
REMOTE CONDENSER		Fins Material:	Al	Fins Spacing:	2.1
Commercial Serie Type J		Tubes:	Cu	Scale:	1 : x
HORIZONTAL		Drawing n° : CJx6123xx			