

Data sheet

# ELIMINATOR® Hermetic burn-out filter drier

## Type DAS



ELIMINATOR® Hermetic burn-out filter driers type DAS are used in the suction line to clean up refrigeration and air conditioning systems after a compressor motor burn-out.

The solid core, which is composed of 70% activated alumina and 30% Molecular Sieve, adsorbs harmful acids as well as moisture.

Available with flare and solder (pure copper) connections.

### Features

#### The Core type DAS

- Solid core with 70% activated alumina and 30% Molecular Sieve for adsorption of acid and moisture
- Recommended for use with HFO, HC, HFC and HCFC refrigerants

#### The Shell

- PED approved for PS 35 bar
- Available with flare and solder (pure copper) connections
- Corrosion resistant powder-painted finish
- Allows installation with any orientation provided the flow is in the arrow direction
- 2 Schrader access valves to measure pressure drop across the drier
- Available in sizes 8 – 60 cubic inches

#### The Filter

- 120 mesh wire mesh provides solid particle retention with minimal pressure drop

## Data sheet | ELIMINATOR® Hermetic burn-out filter drier, type DAS

### Approvals

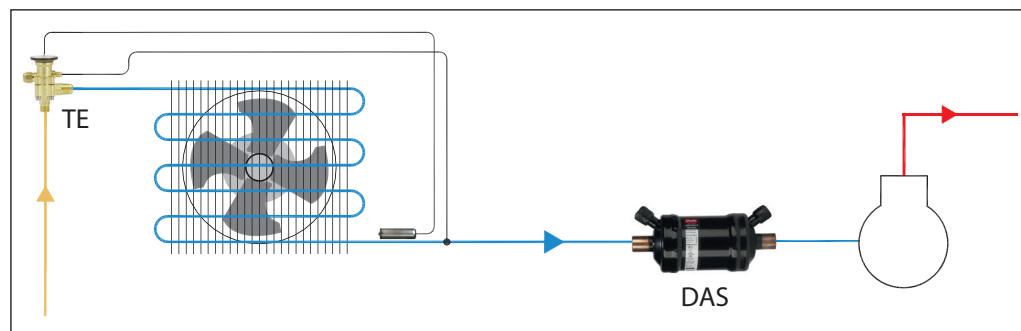
UL file no. SA 6398  
 PED 97/23/EC - a3p3  
 Compliant with ATEX hazard zone 2

**⚠ Note:** Only solder versions (cu-plated / pure copper) and connection sizes below 25 mm are approved for flammable refrigerants now.

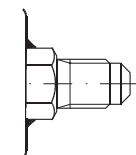
### Introduction

ELIMINATOR® Hermetic filter driers protect refrigeration and air-conditioning systems from moisture, acids, and solid particles.

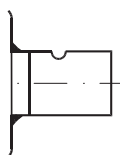
By adsorbing harmful acids after a compressor motor damage, the DAS hermetic burn-out filter drier protects the new compressor against premature failure.



### Technical data and capacities



Flare connection



Solder connection (pure copper)

Type	Rated capacity, $Q_n$ <sup>1)</sup>			Acid capacity <sup>2)</sup>	Max. Working Pressure PS
	R22/R407C/R410A	R134a	R404A/R507		
	[kW]	[kW]	[kW]	[g]	[bar]
DAS 083	6.0	3.5	4.5	3.8	35
DAS 084	10.0	5.5	8.0	3.8	35
DAS 085	14.5	9.0	12.5	3.8	35
DAS 086	19.0	11.5	16.5	3.8	35
DAS 164	10.5	6.0	8.5	8.6	35
DAS 165	15.0	9.5	13.0	8.6	35
DAS 166	20.0	12.0	17.0	8.6	35
DAS 167	22.0	13.5	19.0	8.6	35
DAS 305	18.0	11.0	15.0	18.2	35
DAS 306	22.0	14.0	19.0	18.2	35
DAS 307	26.0	16.0	22.0	18.2	35
DAS 309	31.0	20.0	27.0	18.2	35
DAS 417	30.0	18.0	25.0	24.3	35
DAS 419	35.0	22.0	30.0	24.3	35
DAS 607	20.0	12.0	17.0	36.5	35

<sup>1)</sup> Rated capacity is stated at:  
 evaporating temperature  $t_e = 4^\circ\text{C}$   
 pressure drop  $\Delta p = 0.21$  bar

<sup>2)</sup> Adsorption capacity of oleic acid at 0.05 TAN (Total Acid Number).

Temperature range:  
 $-40 - 70^\circ\text{C}$

**Selection**

Capacities for other temperatures than 4 °C are calculated by use of correction factors. Divide your actual evaporator capacity with the correction factor given for your actual evaporating temperature.

Look up the capacity table for the necessary rated capacity:

$$Q_e / F_e = Q_n$$

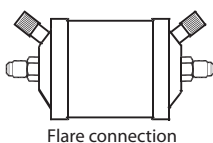
$Q_e$  = Actual evaporator capacity  
 $Q_n$  = Nominal capacity  
 $F_e$  = Correction factor

**Correction factors  $F_e$  for evaporating temperatures [°C]**

[°C]	4	0	-5	-10	-15	-20	-25	-30	-35	-40
$F_e$	1	0.9	0.75	0.6	0.5	0.4	0.35	0.25	0.2	0.15

**Example**

To select a hermetic burn-out filter drier for a R22 plant with an evaporator capacity at 8.5 kW at -20 °C you may use a burn-out filter drier with a rated capacity of  $8.5/0.4 = 21.25$  kW or bigger. For example DAS 306.

**Ordering**


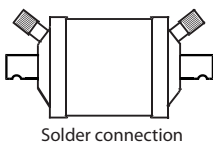
Flare connection

**Flare**

Type	Connection	Multi pack	
	[in.]	Qty.	Code no.
DAS 083VV	$3/8$	24	023Z1001
DAS 084VV	$1/2$	24	023Z1002
DAS 164VV	$1/2$	12	023Z1007
DAS 165VV	$5/8$	12	023Z1008

**Solder**

Type	Connection	Multi pack	
	[in.]	Qty.	Code no.
DAS 083sVV	$3/8$	24	023Z1003
DAS 084sVV	$1/2$	24	023Z1004
DAS 085sVV	$5/8$	24	023Z1005
DAS 086sVV	$3/4$	24	023Z1006
DAS 164sVV	$1/2$	12	023Z1009
DAS 165sVV	$5/8$	12	023Z1010
DAS 166sVV	$3/4$	12	023Z1011
DAS 167sVV	$7/8$	12	023Z1012
DAS 305sVV	$5/8$	8	023Z1013
DAS 306sVV	$3/4$	8	023Z1014
DAS 307sVV	$7/8$	8	023Z1015
DAS 309sVV	$1 1/8$	8	023Z1016
DAS 417sVV	$7/8$	8	023Z1017
DAS 419sVV	$1 1/8$	8	023Z1018
DAS 607sVV	$7/8$	12	023Z1019
DAS 609sVV	$1 1/8$	12	023Z1020



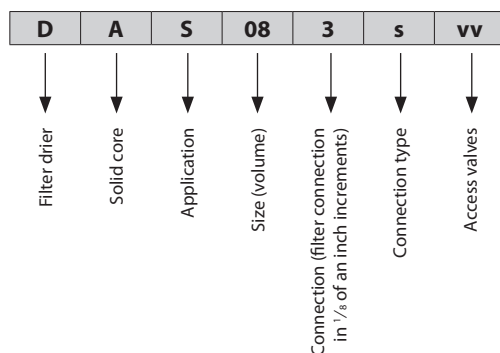
Solder connection

Identification

Type codes

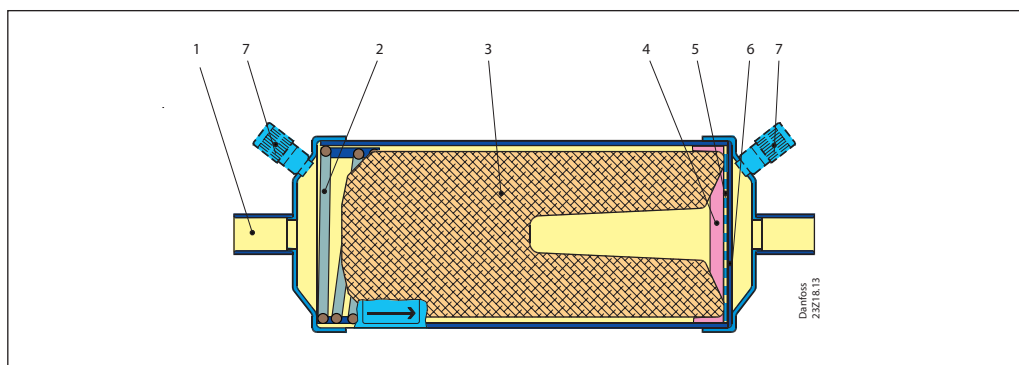
Type	Codes	Description	
Filter drier	D	Drier	
Solid core	A	Burn-out, 70% activated alumina / 30% Molecular Sieves	
Application	5	Suction line	
Size (volume)	08	8 in <sup>3</sup>	
	16	16 in <sup>3</sup>	
	30	30 in <sup>3</sup>	
	41	41 in <sup>3</sup>	
	60	60 in <sup>3</sup>	
Connection (filter connection in 1/8 of an inch increments)	3	3/8 in. / 10 mm	
	4	1/2 in. / 12 mm	
	5	5/8 in. / 16 mm	
	6	3/4 in. / 18 (19) mm	
	7	7/8 in. / 22 mm	
Connection type	(blank)	Flare connection	
	s	Solder connection (pure copper)	
Access valves	(blank)	Inlet: No access valves	Outlet: No access valves
	V	Schrader valve	No access valves
	VV	Schrader valve	Schrader valve

Example for type codes



**Design / function**

- 1. Inlet
- 2. Spring
- 3. Solid core
- 4. Polyester mat
- 5. Metal mesh
- 6. Perforated plate
- 7. Schrader valve

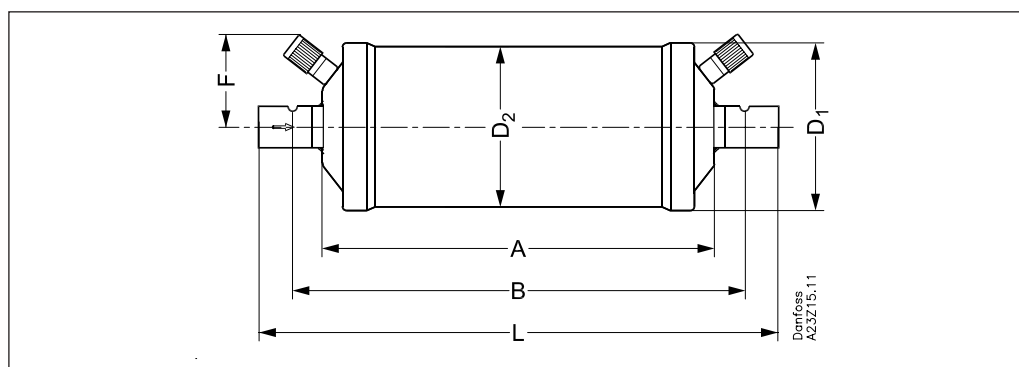


The large diameter of the hermetic burn-out filter drier means that flow velocity is suitably low and the pressure drop minimal.

Powder formation is eliminated because the solid core grains are bonded and cannot move against each other.

**Dimensions and weights**

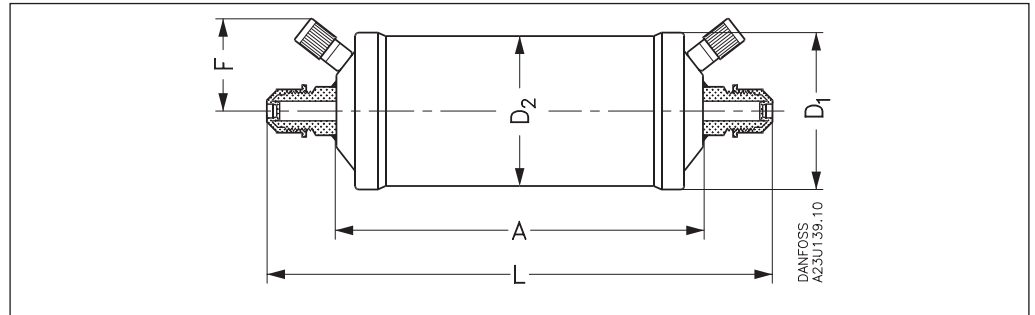
**Solder connections**



Type	A	B	L	D <sub>1</sub>	D <sub>2</sub>	F	Net weight
	[mm]	[mm]	[mm]	[mm]	[mm]	[mm]	[Kg]
DAS 083sVV	101	120	139	58	54	40	0.47
DAS 084sVV	101	122	143	58	54	40	0.50
DAS 085sVV	101	125	149	58	54	40	0.50
DAS 086sVV	101	131	161	58	54	40	0.50
DAS 164sVV	110	131	152	80	76	50	0.83
DAS 165sVV	110	134	158	80	76	50	0.84
DAS 166sVV	110	140	170	80	76	50	0.84
DAS 167sVV	110	141	172	80	76	50	0.84
DAS 169sVV	110	142	173	80	76	50	1.9
DAS 305sVV	186	210	234	80	76	50	1.31
DAS 306sVV	186	216	246	80	76	50	1.31
DAS 307sVV	186	217	248	80	76	50	1.33
DAS 309sVV	186	218	249	80	76	50	1.35
DAS 417sVV	187	218	249	93	89	55	2.08
DAS 419sVV	187	219	250	93	89	55	2.08
DAS 607sVV	337	363	399	80	76	50	2.39
DAS 609sVV	337	358	400	80	76	50	2.40

**Dimensions and weights  
(continued)**

**Flare connections**



Type	A	L	D <sub>1</sub>	D <sub>2</sub>	F	Net weight [Kg]
	[mm]	[mm]	[mm]	[mm]	[mm]	
DAS 083VV	101	158	58	54	40	0.51
DAS 084VV	101	166	58	54	40	0.62
DAS 164VV	110	175	80	76	40	0.91
DAS 165VV	110	184	80	76	40	0.95