

Installation guide

ELIMINATOR® Hermetic bi-flow filter drier
Types DMB and DCB

023R9532

023R9532

Refrigerants:

A1: R134a, R404A, R407C, R507, R22, R410A.

A2L: R32, R444B, R452B, R454B, R1234yf.

A3: R290, R600a

For other refrigerants, please contact Danfoss representative.

⚠ Only solder versions (cu-plated / pure copper) and connection sizes below 25mm are approved for A3 refrigerants.
Only connection sizes below 25 mm are approved for A2L.

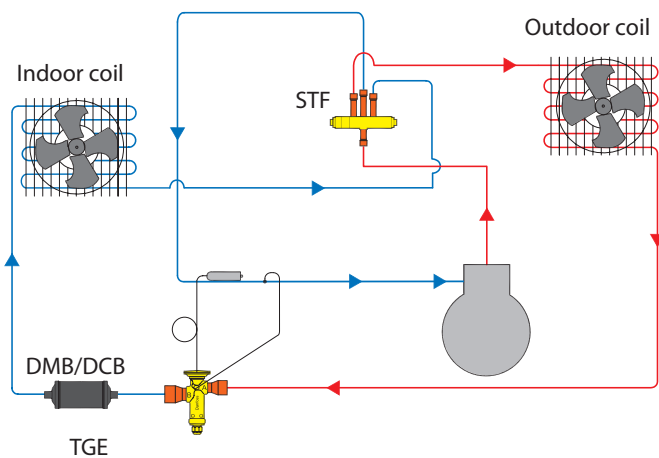
Temperature range:

-40 – 70 °C
 -40 – 160 °F

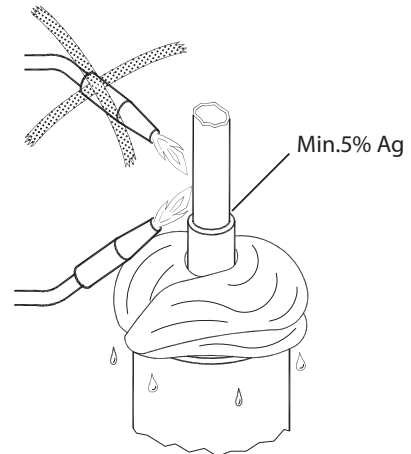
Max. working pressure:

PS / MWP = 46 bar / 667 psig

Installation



Soldering

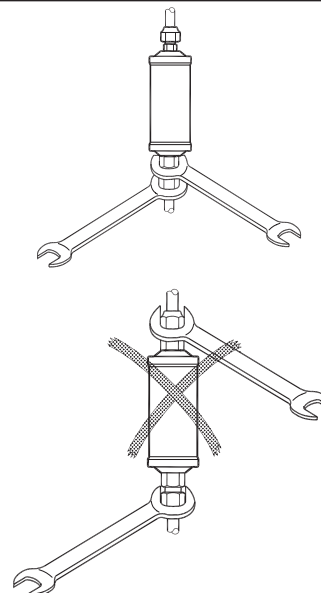
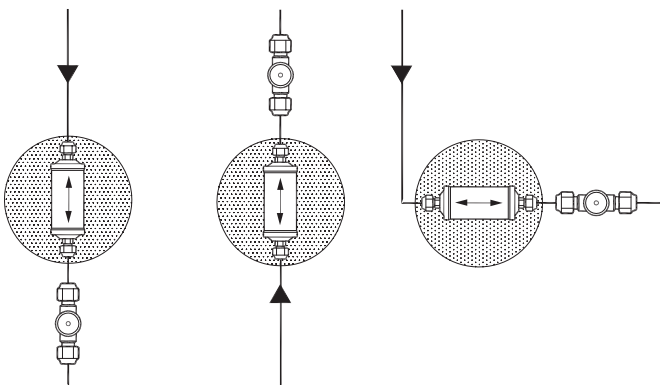


After charging, mark the system with the refrigerant and the oil used.

Customer best practice will still be needed:

- Use wet wrap when installing.
- Braze the joints.
- Let them cool down.
- Clean the brazing /welding area after the installation (remove remaining flux with a brush).
- This is an important operation and needs to be done with great care to remove all remaining flux.
- Paint / Anti-corrosive needs to cover all open steel parts, areas where the black original paint has been burnt due to brazing and at least 3 cm approx of the copper.
- Paint the joints twice.

Mounting



Danfoss
23Z7015.10

Danfoss
23Z7013.10

Danfoss
23Z7014.10